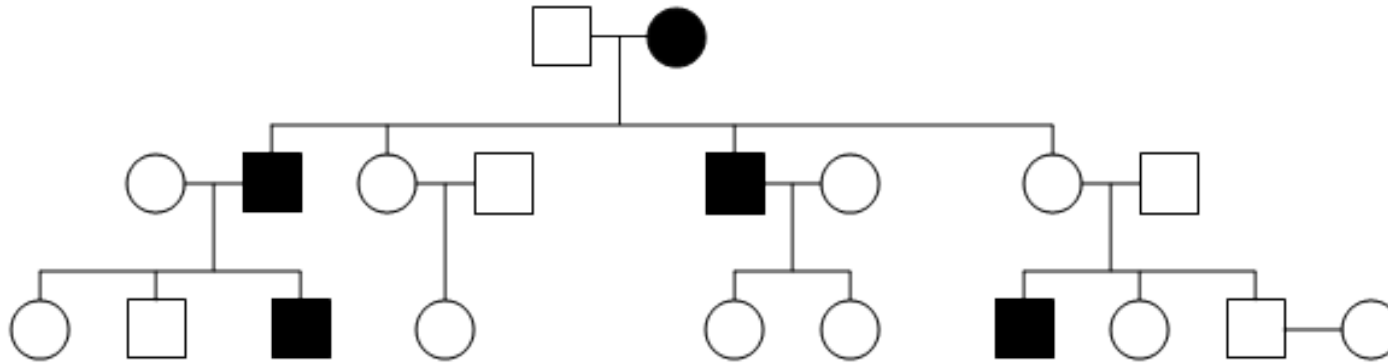


Steps to a pedigree.



B= gene for brown eyes

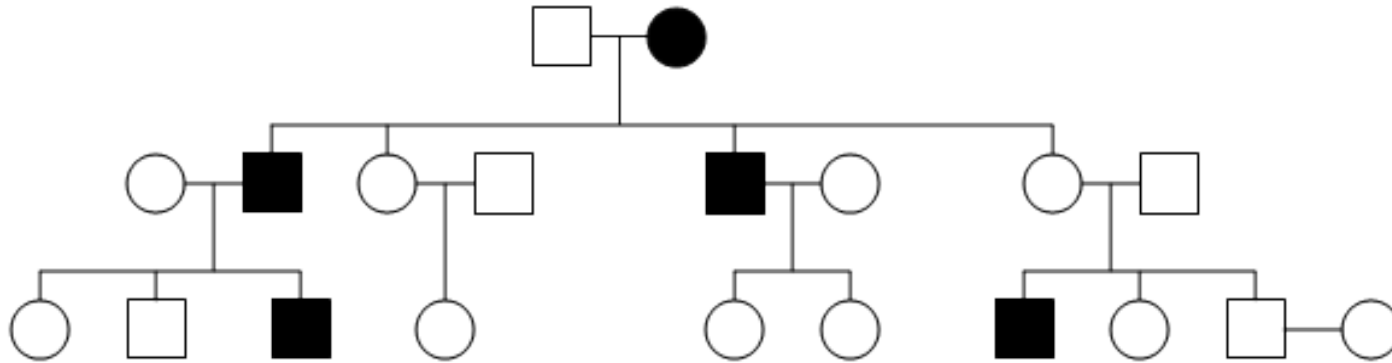
b- gene for blue eyes

_____ 1. What is the sex of person III-3?

_____ 2. How many generations are shown on this pedigree?

_____ 3. How is person II-1 related to III-2?

_____ 4. How many men have blue eyes?



_____ 5. How many marriages are shown on the pedigree?

_____ 6. How many couples have only one child?

_____ 7. What is the genotype of person I-2?

_____ 8. What is the genotype of person II-8?

_____ 9. What is the genotype of person III-4?

_____ 10. What is the phenotype of person II-3?